

SQX 12

Speaker Specifications

| | | | |
|---------------------|-----|------------------|---------|
| Power | Pe | 600 / 900 | RMS/Nom |
| DC resistance | Rdc | 3,2 | Ω |
| Nominal impedance | ZN | 4 | Ω |
| Resonance frequency | fs | 36,7 | HZ |
| Voice coil diameter | | 3 | inch |
| Xmax | + - | 14 | mm |

| | | |
|---------------------|-----|-------------|
| Mechanical Q factor | Qms | 5,07 |
| Electrical Q factor | Qes | 0,44 |
| Total Q factor | Qts | 0,40 |

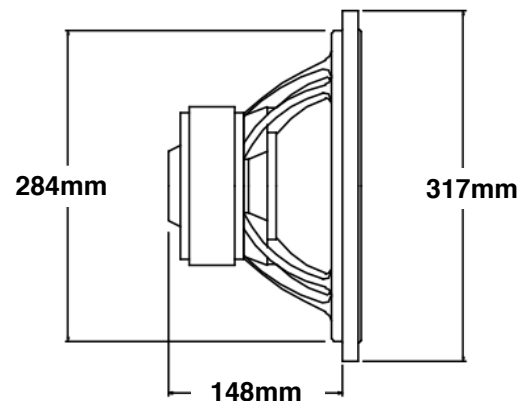
| | | | |
|-----------------------|-----|--------------|-----------------|
| Moving mass | Mms | 167,7 | g |
| Effective piston area | Sd | 490 | cm ² |
| Mechanical resistance | Rms | 7,6 | Kg/s |
| Compliance | Cms | 0,11 | mm/N |
| Force factor | BL | 16,8 | Tm |
| Equivalent air volume | Vas | 40,9 | dm ³ |
| SPL 2,83V/1m | | 91,5 | dB |

| | |
|-------------------|------------------------|
| Cone: Paper | Spider: Nomex |
| Surround: Foam | Coil former: Aluminium |
| Basket: Aluminium | Dust cap: PP |

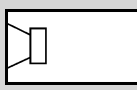
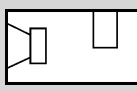
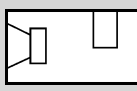


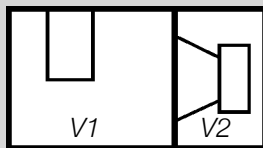
Diameter

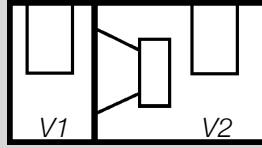
| | |
|-----------------------|----------------------------|
| External diameter | 317 mm / 12,48 inch |
| Installation diameter | 284 mm / 11,18 inch |
| Installation depth | 148 mm / 5,82 inch |
| Magnet diameter | 185 mm / 7,28 inch |



Recommended Boxes (including Ports and Drivers)

| | | |
|------------|---|--|
| Sealed Box |  | V: 32 l |
| |  | V: 50 l F: 43 Hz d: 100 / 3,94mm / inch l: 200 / 7,87 mm / inch |
| Vented Box |  | V: 65 l F: 43 Hz d: 2 x 100 mm / 3,94 mm inch l: 2 x 300 mm / 11,81 inch |

| | |
|---|-----------------|
| Band Pass | |
|  | |
| V1: 40 l | V2: 25 l |
| Fm: 60 Hz | |
| d: 2 x 100 mm / 3,94 inch | |
| l: 2 x 250 mm / 9,84 inch | |

| | |
|---|------------------------|
| Double Vented Bandpass | |
|  | |
| V1: 25 l | V2: 52 l |
| F1: 75 Hz | F2: 47 Hz |
| d: 2 x 200 mm / 7,87 inch | d: 100 mm / 3,94 inch |
| l: 2 x 300 mm / 11,81 inch | l: 300 mm / 11,81 inch |